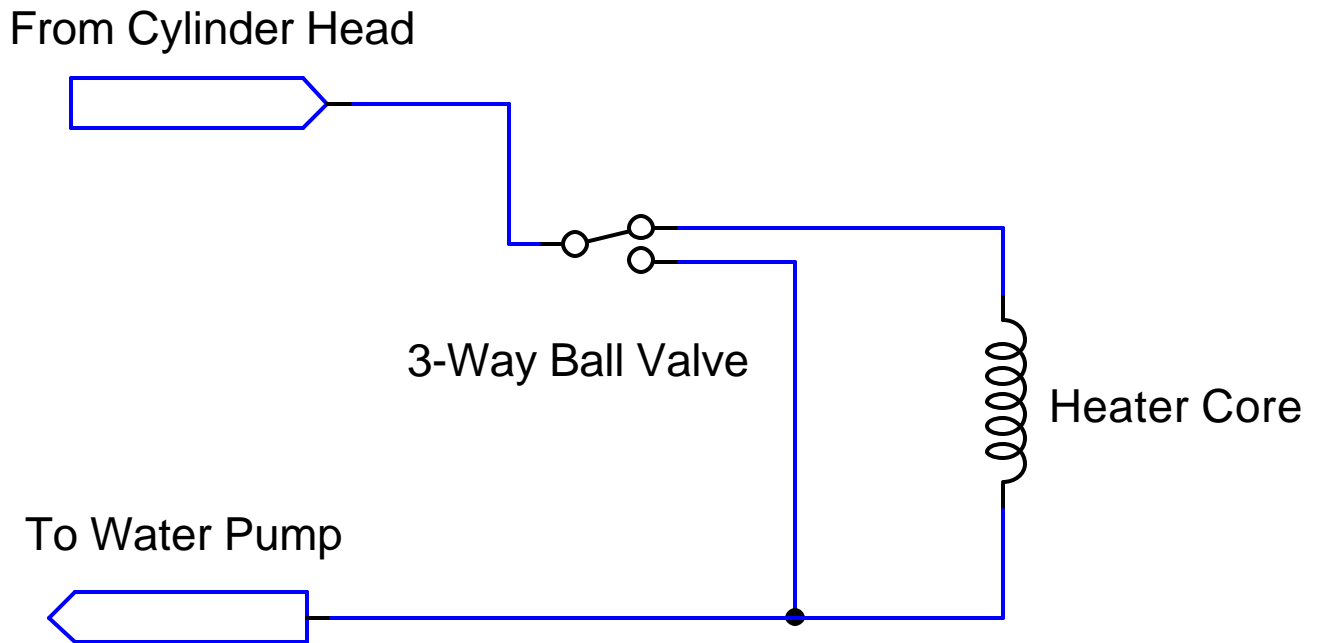


Miata -- Heater bypass valve modification

by Cliff Knight -- June 2003



3-Way Ball Valve

Conbraco 70-603-10 1/2" NPT female
\$13.13 from www.GoMarine.com

Other Fittings

3 - 90° 1/2 NPT x 5/8" hose barb

1 - Tee for 5/8" hose

Elbows as required

(I used bronze fittings from
Lowe's from the PEX plumbing
system often used in mobile homes.)