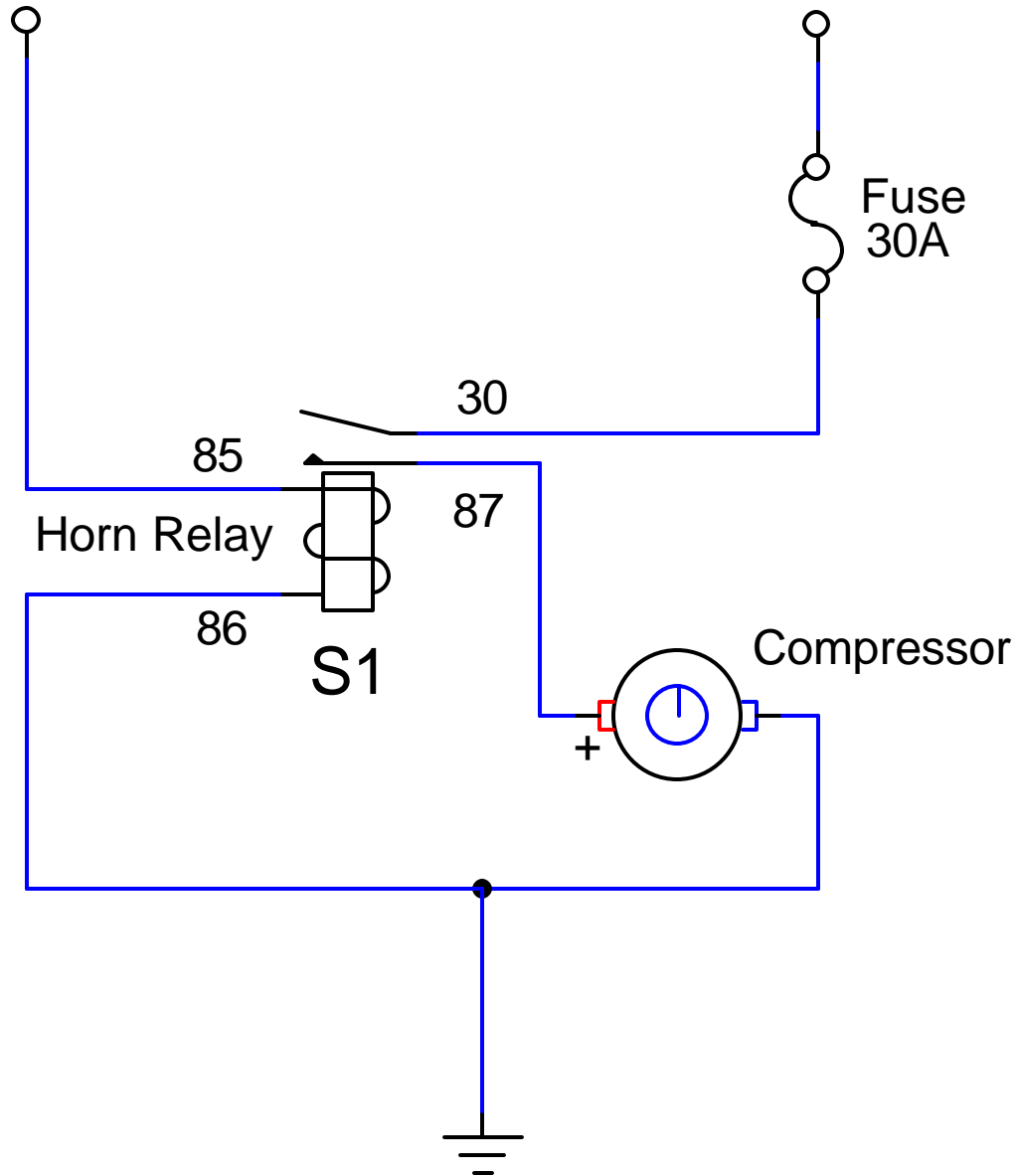


# Generic Air Horn Compressor Relay Circuit

Original Horn +12V

12V Supply 30A minimum



S1 - SPST 12V relay rated 30A@12VDC or better  
(Radio Shack 275-226)